



Explore API Documentation

SelfService_Schedule_ScheduleResourceCodeValue

Version 1.0

Last Modified: 5/16/2023

Last Modified By: Kimo Pickering



Change Log

This changelog only contains significant or notable changes to the revision. Any editorial-type changes or minor changes are not included.

Revision	Change Date	Description	Modified By
1.0	5/16/2023	Initial Draft	Kimo Pickering

Contents

Change Log	2
Overview	3
Relationships and Dependencies	3
API Detail	4
Supported Filters.....	4
Fields.....	5
Field Descriptions	6
Sample	7
Data Validation.....	8

Overview

One of the components of the Schedule Resource entity is the SelfService_Schedule_ScheduleResourceCodeValue endpoint. The ScheduleResourceCodeValue table comprises values that act as foreign key lookups for the ScheduleResourceCodeValueAssignment table. Users can create these code values in the Knowledge Tags section of the Schedule Configuration view, and subsequently assign them to specific resource codes in the Resources tab.

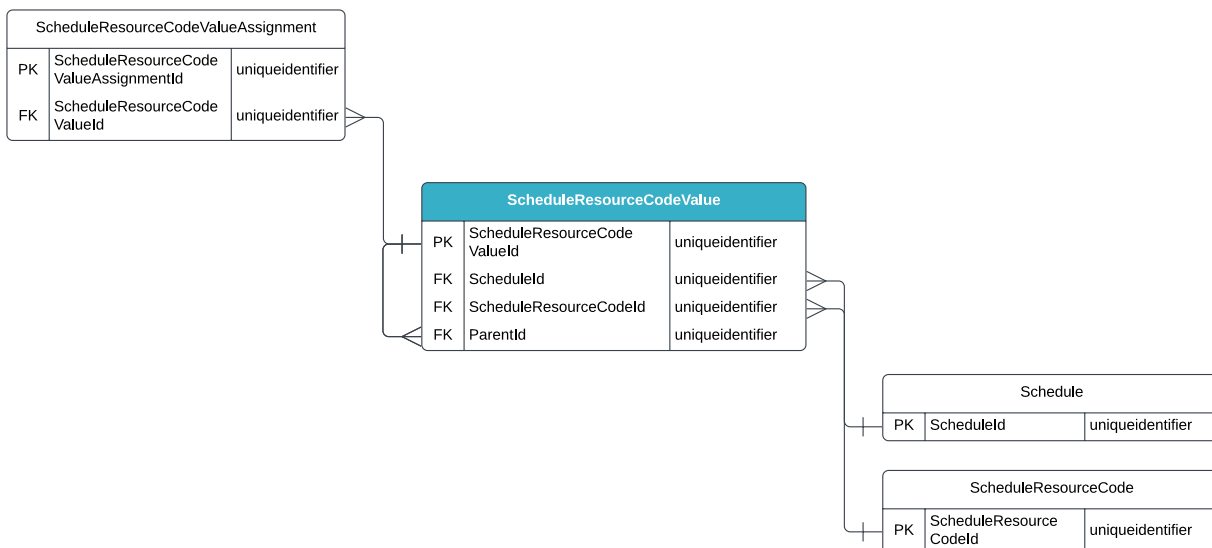
Relationships and Dependencies

From: Table ¹	To: Table ¹	Relationship	Cardinality ²
ScheduleResourceCodeValueAssignment(SRCDVA)	ScheduleResourceCodeValue(SRCDV)	SRCDVA.ScheduleResourceCodeValueId : SRCDV.ScheduleResourceCodeValueId	M:1
ScheduleResourceCodeValue(SRCDV)	Schedule(S)	SRCDV.ScheduleId : S.ScheduleId	M:1
ScheduleResourceCodeValue(SRCDV)	ScheduleResourceCategory(SRCAT)	SRCDV.ScheduleResourceCodeId : SRCAT.ScheduleResourceCodeId	M:1

¹ Prefix table name with “SelfService_Schedule_” and exclude table abbreviation for queries (e.g., SelfService_Schedule_ScheduleResourceCodeValue)

² 1:M = One to Many, 1:1 = One to One, M:1 = Many to one

Figure 1. SelfService_Schedule_ScheduleResourceCodeValue ER Diagram



API Detail

Direction	From Project Suite	
Pagination	50,000 Rows	
Frequency	All Reporting APIs are used by calling a GET method at an interval determined by the customer. InEight suggests using these APIs on an infrequent basis (once per day) to avoid potential performance impact to live systems when the returned data set could be large.	
Trigger Method(s)	All default OData filters are supported	
Average Payload Size	Depends on date range selected	
APIM Name	SelfService_Schedule_ScheduleResourceCodeValue	
Data Refresh/Delta/Incremental Loads	This API will only refresh once per day	
Project Suite	Starting Version	23.8
	Ending Version	N/A

Supported Filters

All default OData filters are supported by this API.

Fields

Name	Type	Char Max Length	Numerical Precision	Required?	Key ?		
ScheduleResourceCodeValueId	uniqueidentifier	16	0	Y	P		
ParentId	uniqueidentifier	16	0	N	F		
ScheduleId	uniqueidentifier	16	0	N	F		
ScheduleResourceCodeId	uniqueidentifier	16	0	Y	F		
Value	nvarchar(256)	256	0	Y			
Description	nvarchar(256)	256	0	N			
Position	int	4	10	Y			
CreatedById	bigint	19	19	Y			
CreatedDate	datetimeoffset	10	34	Y			
ModifiedById	bigint	19	19	Y			
ModifiedDate	datetimeoffset	10	34	Y			
RowVersion	Bigint	Null	Null	Null	Y		

Field Descriptions

Name	Description	Example(s)
ScheduleResourceCodeValueId	A unique identifier assigned to a Resource Code Value. Not visible in the interface.	92c7bc93-aa89-4ebb-964f-d677e0da34c4
ParentId	The ID of the resource that is the parent of the selected resource item. Not visible in the interface.	2b6fc3f7-f413-46df-be4d-8b27a0a78b5c
ScheduleId	A unique identifier assigned to each schedule record in the table. Not visible in the interface.	8881ddf6-0717-4d49-8493-569d0dccc789
ScheduleResourceCodeId	A unique identifier assigned to a Resource Code. Not visible in the interface.	d026c9ea-dcdd-4eab-858f-5336231d3266
Value	The value of the Resource Code Value. Typically, a code or an abbreviation.	PLT-B
Description	A short description of the Resource Code Value.	Plant B
Position	A user-defined order of the Resource Code Value within the Resources table.	5
CreatedById	The unique identifier of the user who created the item. Not visible in the Interface.	35498621
CreatedDate	Date/timestamp the item is created.	2021-09-06 08:40.092 + 00.00
ModifiedById	The unique identifier of the user who modified the item. Not visible in the Interface.	29834765
ModifiedDate	Date/timestamp the item was modified.	2021-11-17 14:22.000 + 00.00
RowVersion	An indicator if a row has been updated. if this value is greater than the stored value, then update record.	54582065

Sample

[https://\[tenant\].hds.ineight.com/reportwebservices/odata/SelfService_Schedule_ScheduleResourceCodeValue](https://[tenant].hds.ineight.com/reportwebservices/odata/SelfService_Schedule_ScheduleResourceCodeValue)

```
{"ScheduleResourceCodeValueId":{"ScheduleResourceCodeValueId":"92c7bc93-aa89-4ebb-964f-d677e0da34c4",", {"ParentId":{"ParentId":"2b6fc3f7-f413-46df-be4d-8b27a0a78b5c",", {"ScheduleId":{"ScheduleId":"8881ddf6-0717-4d49-8493-569d0dccc789",", {"ScheduleResourceCodeId":{"ScheduleResourceCodeId":"d026c9ea-dcdd-4eab-858f-5336231d3266",", {"Value":{"Value":"PLT-B",", {"Description":{"Description":"Plant B",", {"Position":{"Position":"5",", {"CreatedById":{"CreatedById":"35498621",", {"CreatedDate":"2021-09-06 08:40.092 + 00.00", {"ModifiedById":{"ModifiedById":"29834765",", {"ModifiedDate":"2021-11-17 14:22.000 + 00.00"}}
```

Data Validation

Schedule Resource Code Values are created in the Schedule Configuration view's Knowledge Tags module and assigned in the Resources tab. See Figures 2 and 3 below.

Figure 2. Schedule > Schedule Configuration view > Knowledge Tags tab > Codes/Resource dropdown > Codes > Resource > Edit Resource Code/Add code value

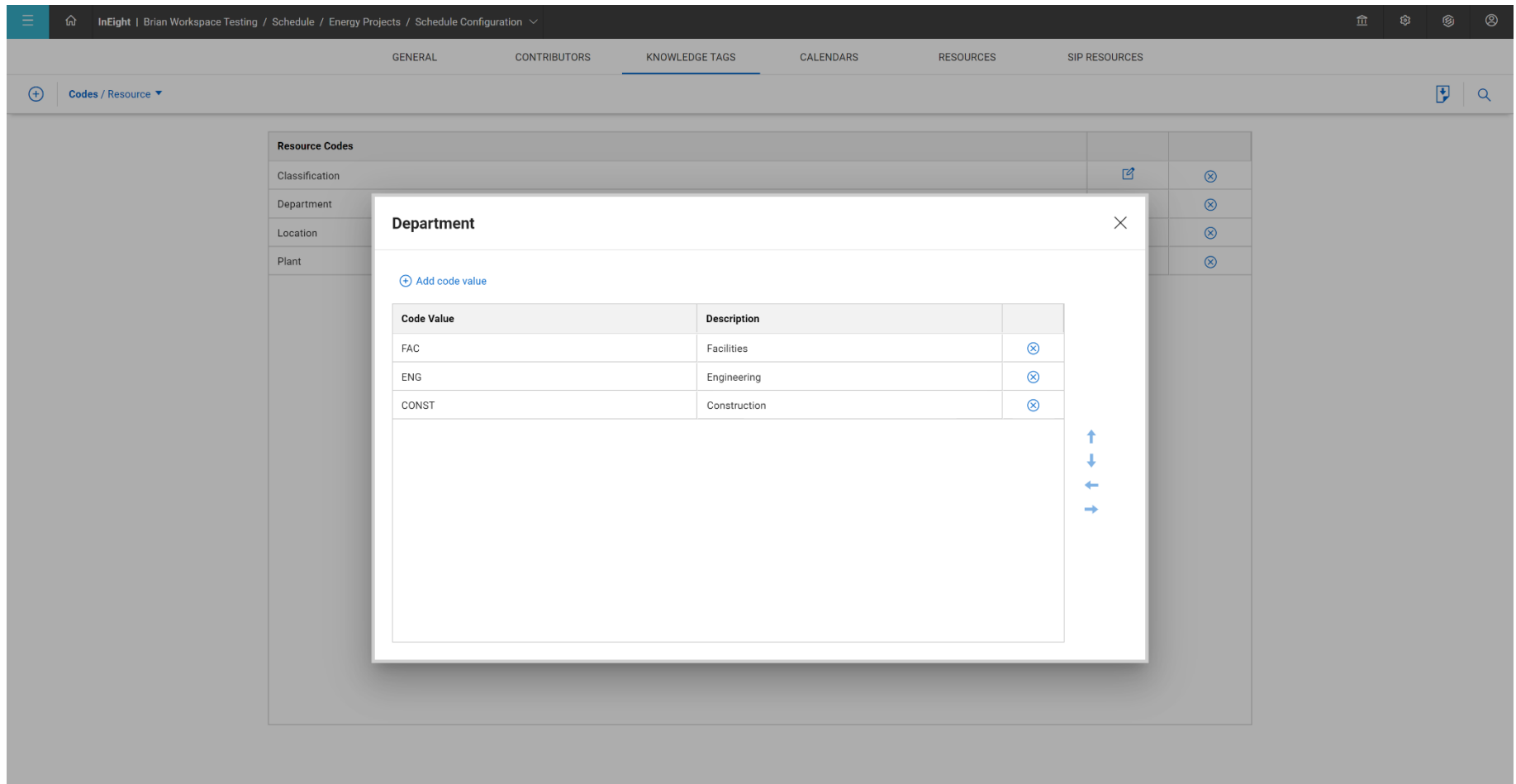


Figure 3. Schedule > Schedule Configuration view > Resources tab > add additional columns > Resource Code columns > Resource Code Values

InEight | Brian Workspace Testing / Schedule / Energy Projects / Schedule Configuration

GENERAL CONTRIBUTORS KNOWLEDGE TAGS CALENDARS RESOURCES SIP RESOURCES

ID	Name	Category	Color	UoM	Default Units/d	Cost/Unit	Assignments		Department	Plant	Classification	Location
∨ E&C Resources	E&C Resources	Labor ▶	●	Hours	8.00	0	0	⊗	▶	▶	▶	▶
∨ Trades	Trades	Labor ▶	●	Hours	8.00	0	0	⊗	▶	▶	▶	▶
Elec	Electrician	Labor ▶	●	Hours	8.00	95.00	4	⊗	CONST ▶	Plant C ▶	FTTrade ▶	North America ▶
OPTGP	Operations Test Group	Labor ▶	●	Hours	8.00	80.00	89	⊗	FAC ▶	Plant C ▶	FTIC ▶	Europe ▶
Hydro	Hydroblaster	Labor ▶	●	Hours	8.00	90.00	4	⊗	FAC ▶	Plant E ▶	FTTrade ▶	Europe ▶
∨ Engineering	Engineering Department	Labor ▶	●	Hours	8.00	0	0	⊗	▶	▶	▶	▶
FieldEng	Field Engineer	Labor ▶	●	Hours	8.00	77.00	11	⊗	ENG ▶	Plant C ▶	FTIC ▶	Brazil ▶
InsEng	Instrumentation Engineer	Labor ▶	●	Hours	0	73.00	37	⊗	FAC ▶	Plant B ▶	FTTrade ▶	Australia ▶
HVAC	HVAC	Labor ▶	●	Hours	0	44.00	11	⊗	CONST ▶	Plant B ▶	FTTrade ▶	Brazil ▶